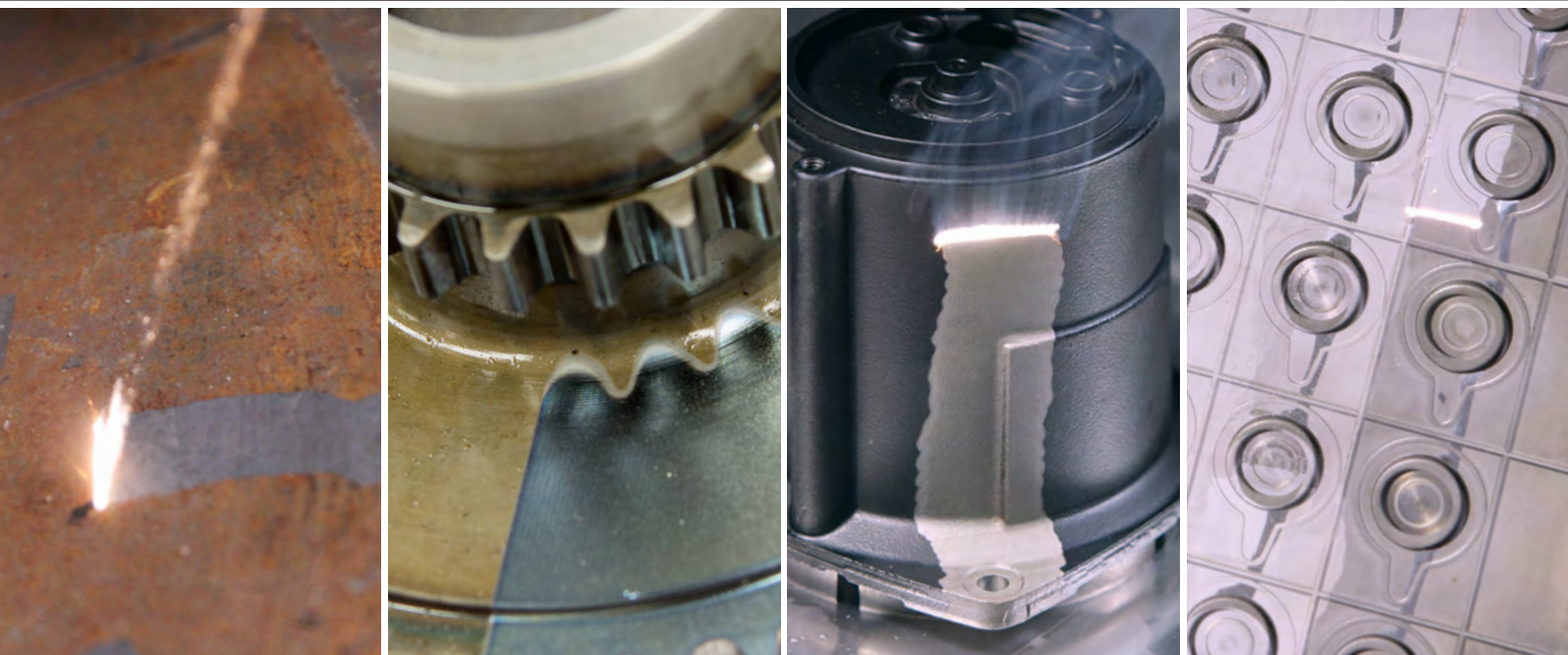


LASER | SYSTEME | SERVICES

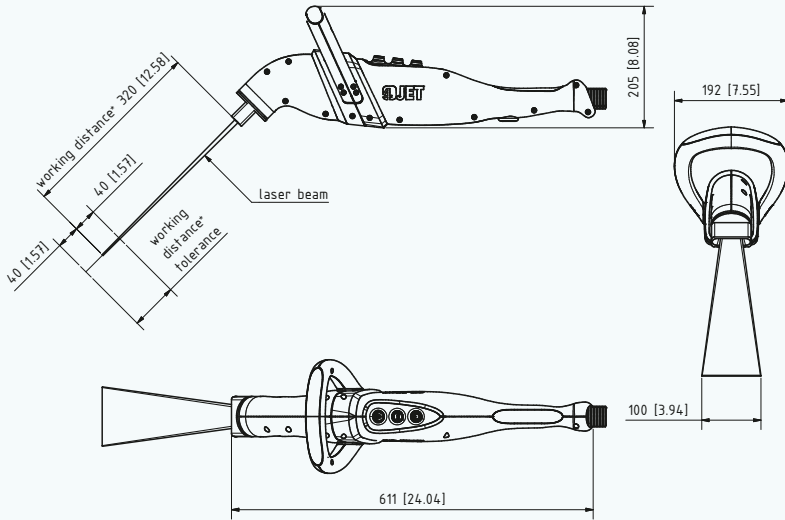
# 4JET

## JETLASER

Flexible Laser Cleaning

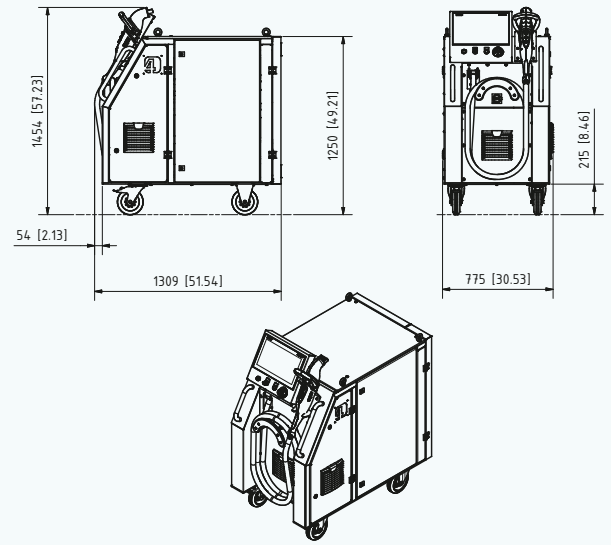


Devarnishing / Removal of Rust, Oil and Grease / Paint Stripping / Mold Cleaning



\* the drawn working distance and tolerance applies to a 200W laser with f=400mm lens

Handheld Device



Supply Unit

JETLASER		M200 / R200	M500 / R500
LASER	UNIT		
Laser Power*	W	200	500
Pulse Duration	ns	100	100
Laser Class		Class 4	Class 4
Pulse Frequency	kHz	20	10
Pulse Energy	mJ	10	50
Wavelength	nm	1064	1064
ELECTRICAL DATA	UNIT		
Power Supply	VAC Hz	380-480 50-60	380-480 50-60
Power Consumption	kW max.	7,7	7,7
MECHANICAL DATA	UNIT		
Weight of Laser Head	kg	7	7
Weight of Supply Unit	kg	approx. 365	approx. 365
Working Distance	mm	330	105
Working Distance Tolerance	mm	± 40	± 25
Length of Cable Connection between Handheld Device and Supply Unit	m	3 (others on request)	15 (others on request)

\*Higher laser power on request

## SYSTEM FEATURES

- Optimized for manual use (**JETLASER M**) or integration with a robot (**JETLASER R**)
- Innovative approaches to ergonomics and worker safety by a symmetrical design
- Wide range of power levels
- Fibre-coupled, maintenance free solid state lasers
- Rugged mobile supply unit

## APPLICATIONS

- Cleaning of molds, tools and fixtures
- Paint and coating removal operations
- Pre-treatment of surfaces prior to welding, gluing or coating operations



## 4JET Technologies GmbH

Konrad-Zuse-Str. 1  
52477 Alsdorf, Germany

TEL. +49 (0) 24 04 55 230-0

FAX +49 (0) 24 04 55 230-11

MAIL sales@4jet.de

www.4jet.de

